



ARIENS
THE KING OF SNOW

Mammoth

Parts Manual

Model:

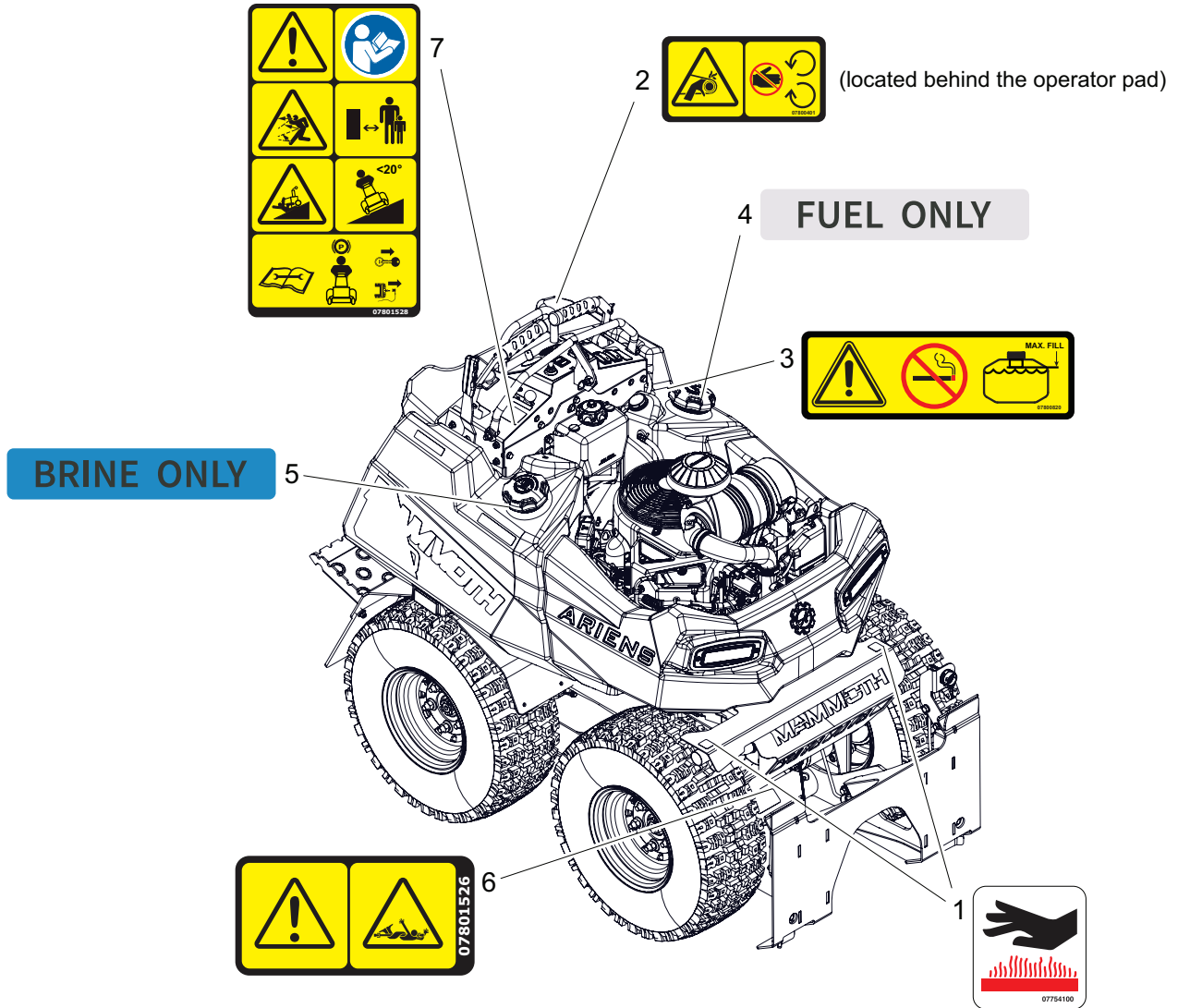
951001 – Mammoth 850
(SN 000101 +)

TABLE OF CONTENTS

Decals – Safety	3
Decals – Style.....	4
Main Frame	5
Front Lift Hitch	6
Hydro Pump and Oil Reservoir Tank.....	7
Wheels and Wheel Motors	8
PTO and Drive.....	9
PTO and Drive (Continued).....	10
Engine – Kawasaki FX850 EFI.....	11
Fuel and Brine Tanks	12
Tower and Operator Pad	13
Steering Controls.....	14
Controls	15
Parking Brake	16
Electrical	17
Wiring Diagram.....	18

DECALS – SAFETY

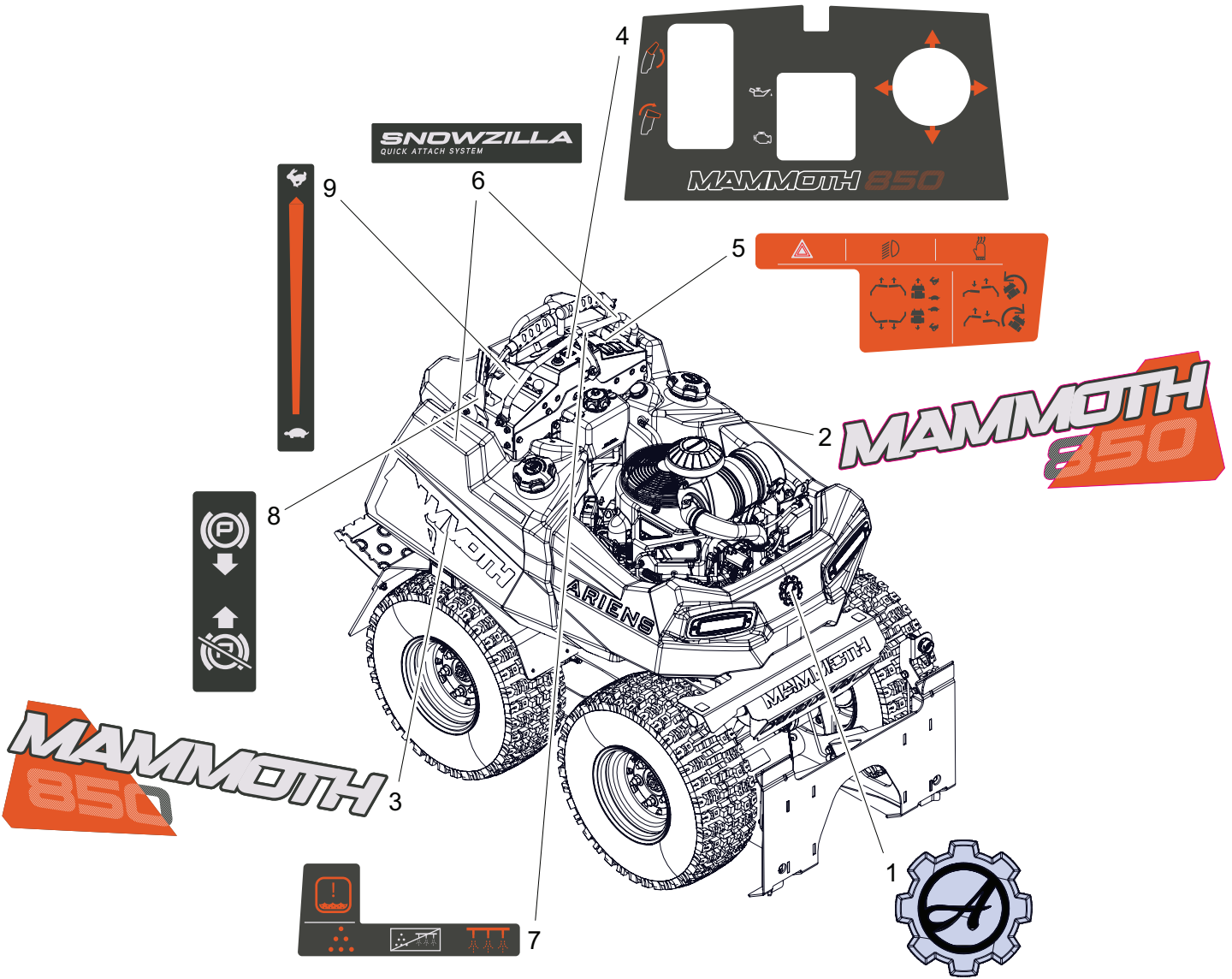
Model 951001



BOM ID	Number	Qty	Description
1	07754100	2	DECAL, HOT SURFACE
2	07800401	1	DECAL, SAFETY - GUARDING
3	07800820	1	DECAL, FUEL WARNING
4	07801511	1	DECAL, TANK - FUEL
5	07801512	1	DECAL, TANK - BRINE
6	07801526	1	DECAL, SAFETY - ROTATING SHAFT
7	07801528	1	DECAL, SAFETY - DASH

DECALS – STYLE

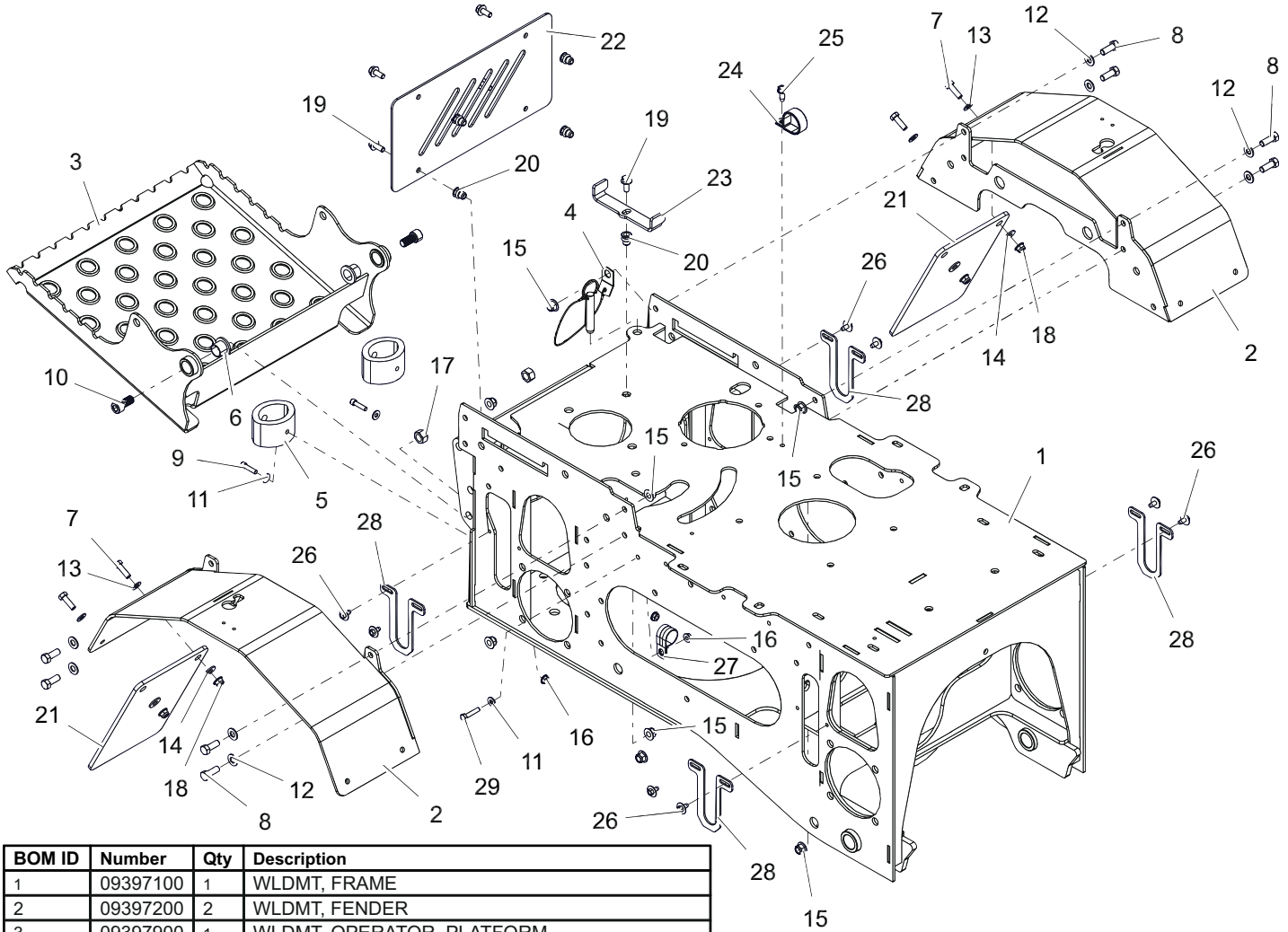
Model 951001



BOM ID	Number	Qty	Description
1	07801012	1	DECAL, ARIENS - GEAR BADGE
2	07801509	1	DECAL, MAMMOTH 850 - LH
3	07801510	1	DECAL, MAMMOTH 850 - RH
4	07801513	1	DECAL, DASH - MAMMOTH
5	07801514	1	DECAL, DASH - CONTROLS
6	07801515	2	DECAL, SNOWZILLA - QUICK ATCH
7	07801516	1	DECAL, CONTROL - BRINE SPRAY
8	07801517	1	DECAL, CONTROL - BRAKE
9	07801518	1	DECAL, CONTROL - SPEED

MAIN FRAME

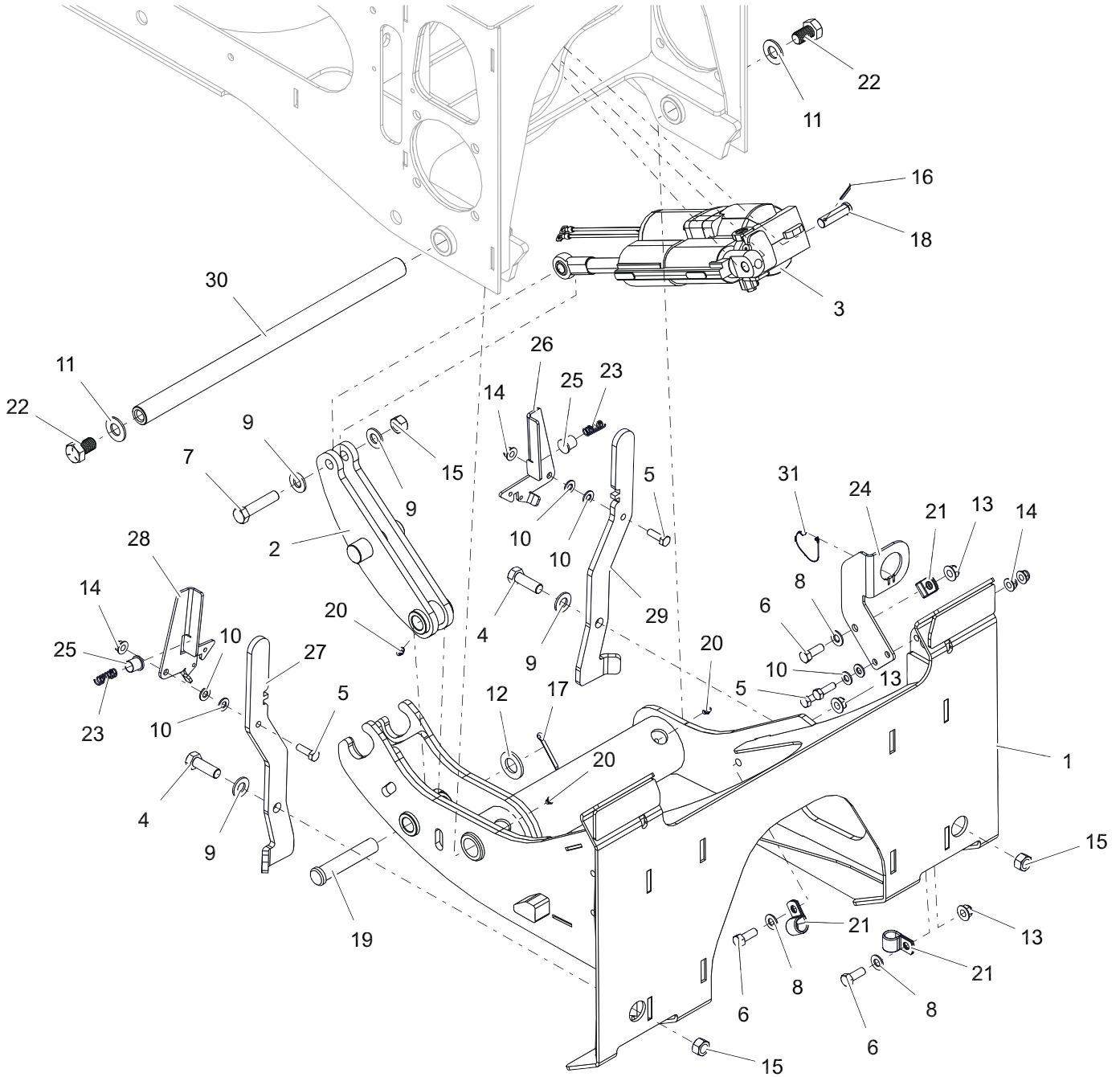
Model 951001



BOM ID	Number	Qty	Description
1	09397100	1	WLDMT, FRAME
2	09397200	2	WLDMT, FENDER
3	09397900	1	WLDMT, OPERATOR PLATFORM
4	09456900	1	PIN, QUICK RELEASE,LANYARD,CLIP
5	05255200	2	BUMPER, PLATFORM
6	05501501	2	BSHG, FLANGE BRONZE
7	05901701	4	BLT, HEX 0.3125-18X1 GR5 ZC120
8	05901711	8	BLT, HEX 0.375-16X1 GR5 ZC120
9	05902033	2	SCR, SKH .25-20X1.00
10	06100309	2	BOLT, SOCKET HEAD CAP SCREW 1/2-13 X 1.00"
11	06401001	3	WSHR-FL-STL 0.281X0.625X0.065 ZC120
12	06401013	8	WSHR-FL-STL 0.406X0.812X0.065 ZC120
13	06401017	4	WSHR-FL-STL 0.344X0.688X0.065 ZC120
14	06401023	4	WSHR-FL-STL 0.375X0.875X0.083 ZC120
15	06500726	8	NUT, LK-NYL-FLG .38-16 GR5 ZC120
16	06500821	3	NUT, FLG-CTR LK .250-20 GR5 ZC120
17	06500827	2	NUT, HEX-CTR LK .500-13 GG ZCC
18	06500809	4	NUT, LK-NYL-FLG .31-18 GR5 ZC120
19	07001820	5	BLT, SERHFWH 0.312-18X0.75 GR5 ZCC
20	07001936	5	RVT, HEX 5/16-18 SHORT
21	09409300	2	FLAP, FENDER - RUBBER
22	09456500	1	PANEL, ACCESS
23	09456800	1	PLATE, BATTERY TIE DOWN
24	07002002	1	CLAMP, CUSHIONED 1-3/8 x 11/32
25	07400127	1	SCR-TAP .312-18X.75 HWH ZCC
26	07400138	8	SCR-TAP .25-20X.50 LG HWH ZCC
27	09465400	1	CLIP, P-STYLE/1.00ID
28	09665700	4	PLATE, SPRG RETAINER
29	05901738	1	BLT, HEX 0.25-20X1.25 GR5 ZCC

FRONT LIFT HITCH

Model 951001



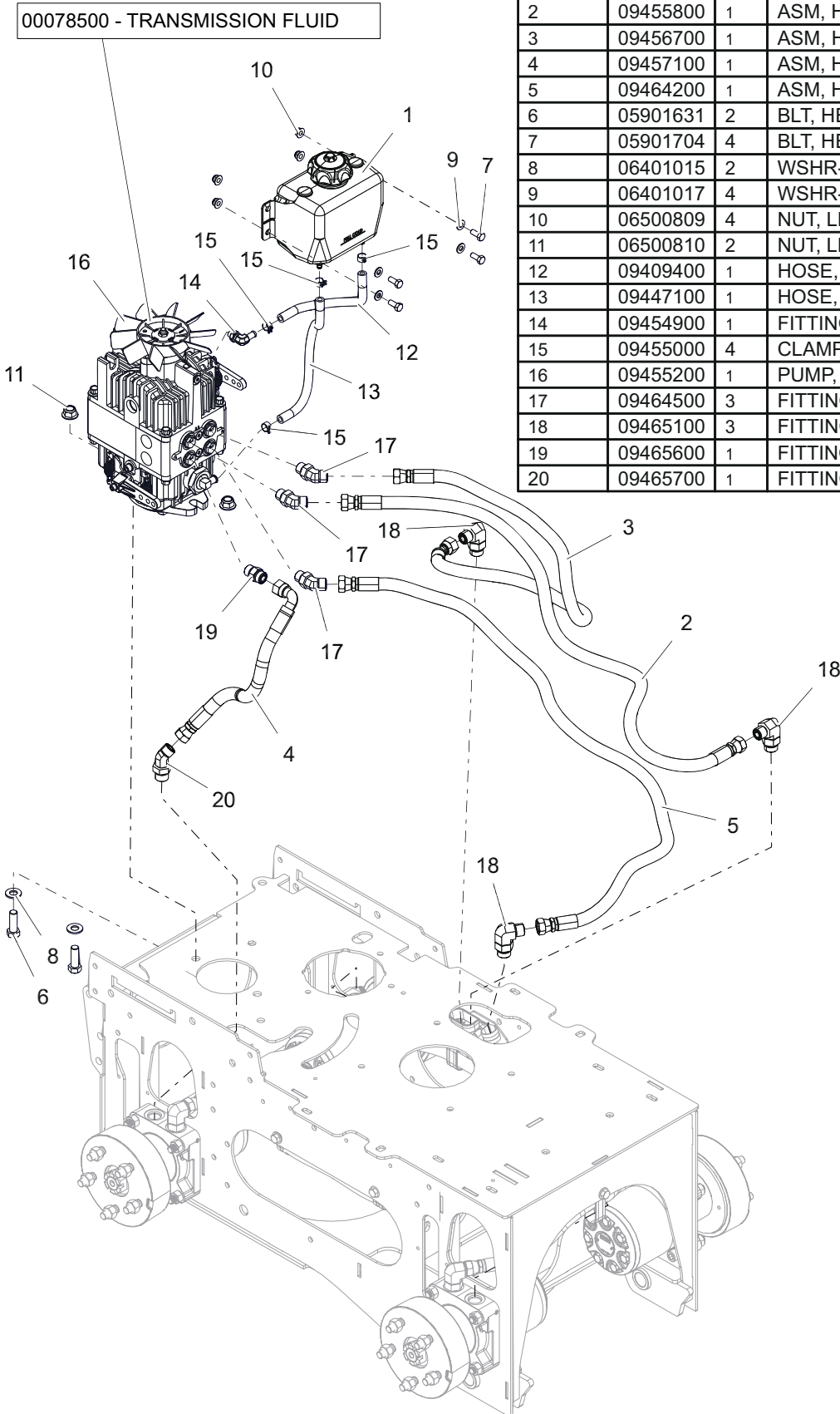
BOM ID	Number	Qty	Description
1	55100100	1	WLDMT, LIFT FRAME - W/ZERK AND DECAL
2	55100200	1	WLDMT, LINK LIFT - W/ZERK
3	09450900	1	ACTUATOR, LINEAR PARKER EHA
4	05901631	2	BLT, HEX 0.5-13X1.5 GR5 ZC120
5	05901701	4	BLT, HEX 0.3125-18X1 GR5 ZC120
6	05901711	3	BLT, HEX 0.375-16X1 GR5 ZC120
7	05901835	1	BLT, HEX 0.5-13X2.25 GR5 ZCC
8	06401013	3	WSHR-FL-STL 0.406X0.812X0.065 ZC120
9	06401015	4	WSHR-FL-STL 0.531X1.062X0.095 ZC120
10	06401017	6	WSHR-FL-STL 0.344X0.688X0.065 ZC120
11	06401039	2	WSHR-FL-STL 0.656X1.312X0.095 RIE5230
12	06401140	1	WSHR-FL-STL 0.812X1.469X0.134 ZCC
13	06500726	3	NUT, LK-NYL-FLG .38-16 GR5 ZC120
14	06500809	4	NUT, LK-NYL-FLG .31-18 GR5 ZC120
15	06500827	3	NUT, HEX-CTR LK .500-13 GG ZCC
16	06700212	1	PIN, CTR .12X1.25 EXTPRSQCT ZC120

BOM ID	Number	Qty	Description
17	06700214	1	PIN, CTR .18X1.50 EXTPRSQCT ZC120
18	06800215	1	PIN, CLEVIS .50 x 1.75"
19	06800216	1	PIN, CLEVIS
20	07001806	3	FITTING, LUBE .25-28X.256 ZC120
21	07002003	3	CLAMP, HARNESS - "P" (5/8" ID)
22	07002004	2	BOLT, HEX 5/8-11 X 1" GR 5
23	07002025	2	SPRG, COMPRESSION
24	09452300	1	PLATE, BRKT CONNECTOR
25	09456000	2	CAP, DUST
26	09456100	1	LATCH, LEFT COUPLER
27	09456200	1	HANDLE, RIGHT COUPLER
28	09456300	1	LATCH, RIGHT COUPLER
29	09456400	1	HANDLE, LEFT COUPLER
30	09456600	1	PIN, PIVOT
31	09676800	1	WIRE, CAP LANYARD

HYDRO PUMP AND OIL RESERVOIR TANK

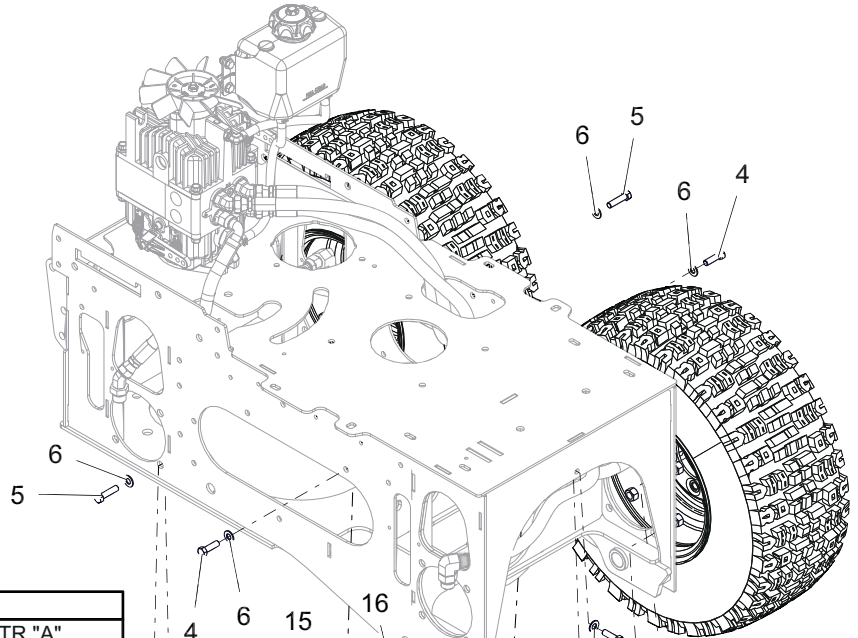
Model 951001

BOM ID	Number	Qty	Description
1	09445700	1	TANK, OIL RESERVOIR
2	09455800	1	ASM, HOSE LF MTR "A"/"B" PORT
3	09456700	1	ASM, HOSE LR MTR B/PUMP A
4	09457100	1	ASM, HOSE RR MTR "A" LOWER/"B" PUMP
5	09464200	1	ASM, HOSE RF MTR "B"/PUMP LOWER "A"
6	05901631	2	BLT, HEX 0.5-13X1.5 GR5 ZC120
7	05901704	4	BLT, HEX 0.3125-18X0.75 GR5 ZC120
8	06401015	2	WSHR-FL-STL 0.531X1.062X0.095 ZC120
9	06401017	4	WSHR-FL-STL 0.344X0.688X0.065 ZC120
10	06500809	4	NUT, LK-NYL-FLG .31-18 GR5 ZC120
11	06500810	2	NUT, LK-NYL-FLG .50-13 GR5 ZC120
12	09409400	1	HOSE, OIL - UPPER
13	09447100	1	HOSE, OIL - LOWER
14	09454900	1	FITTING, HYD ,SWIVEL ELBOW
15	09455000	4	CLAMP, HOSE 9/16"
16	09455200	1	PUMP, HYDRO
17	09464500	3	FITTING, HYD ELB 45-8-8 (V5OLO)
18	09465100	3	FITTING, HYD ELB 90-10-8(C5OLO)
19	09465600	1	FITTING, ADAPTOR 8-8 (F5OLO-S)
20	09465700	1	FITTING, HYD ELB 45-8-10 (V5OLO)

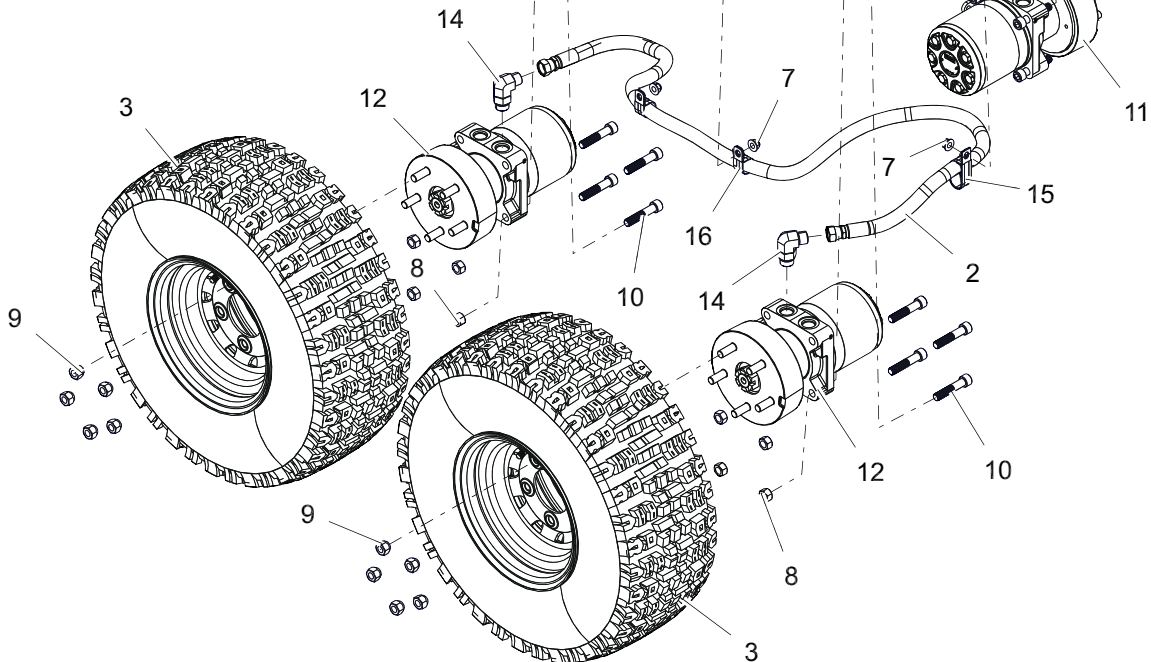


WHEELS AND WHEEL MOTORS

Model 951001

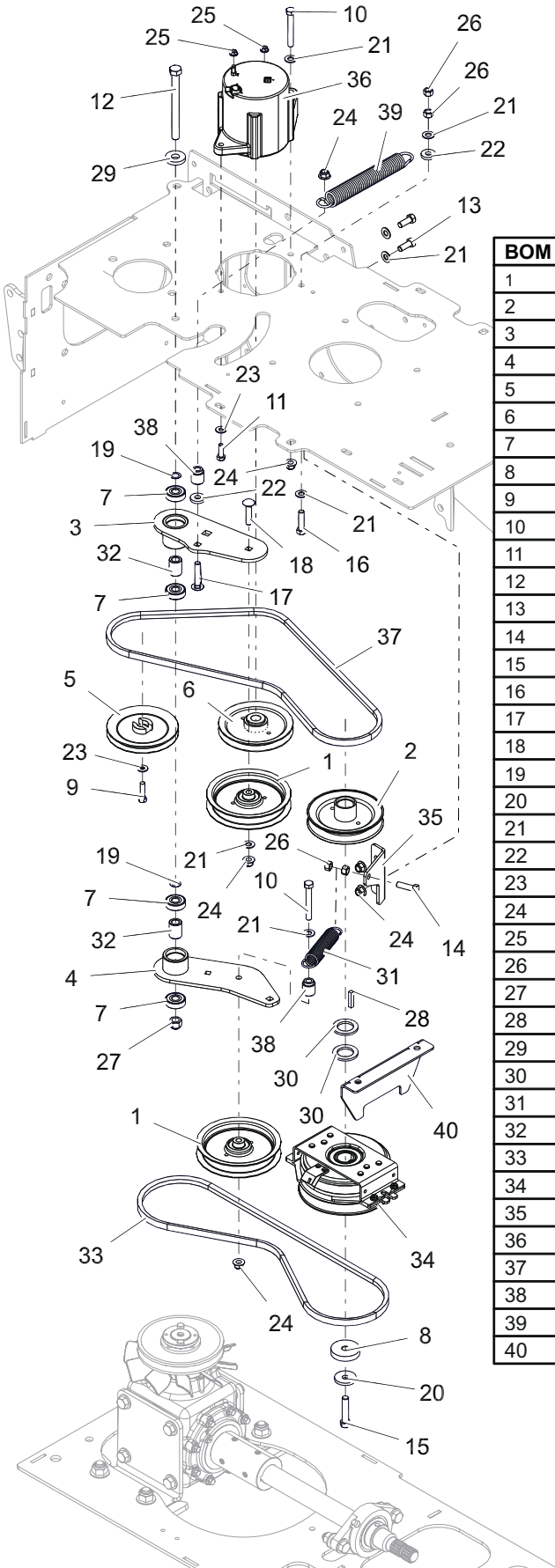


BOM ID	Number	Qty	Description
1	09455900	1	ASM, HOSE LF MTR "B"/LR MTR "A"
2	09464300	1	ASM, HOSE RR MTR "B"/RF MTR "A"
3	09495200	4	ASSM TIRE\WHEEL, 22x9-10 K502
4	05901724	4	BLT, HEX 0.375-16X1.25 GR5 ZC120
5	05901928	2	BLT, HEX 0.375-16X1.5 GR5 ZCC
6	06401013	6	WSHR-FL-STL 0.406X0.812X0.065 ZC120
7	06500726	6	NUT, LK-NYL-FLG .38-16 GR5 ZC120
8	06500827	16	NUT, HEX-CTR LK .500-13 GG ZCC
9	06500926	20	NUT, WHEEL .500-20 ZCC
10	07002005	16	SCR, SOCKET HEAD CAP
11	09455300	2	MOTOR, WHEEL W/BRAKE-LH
12	09455400	2	MOTOR, WHEEL W/BRAKE RH
13	09457000	1	BRKT, HOSE TRACTION
14	09465100	4	FITTING, HYD ELB 90-10-8(C5OLO)
15	09465300	4	CLAMP, P-STYLE DUAL / 1.00 ID
16	09465400	3	CLIP, P-STYLE/1.00ID



PTO AND DRIVE

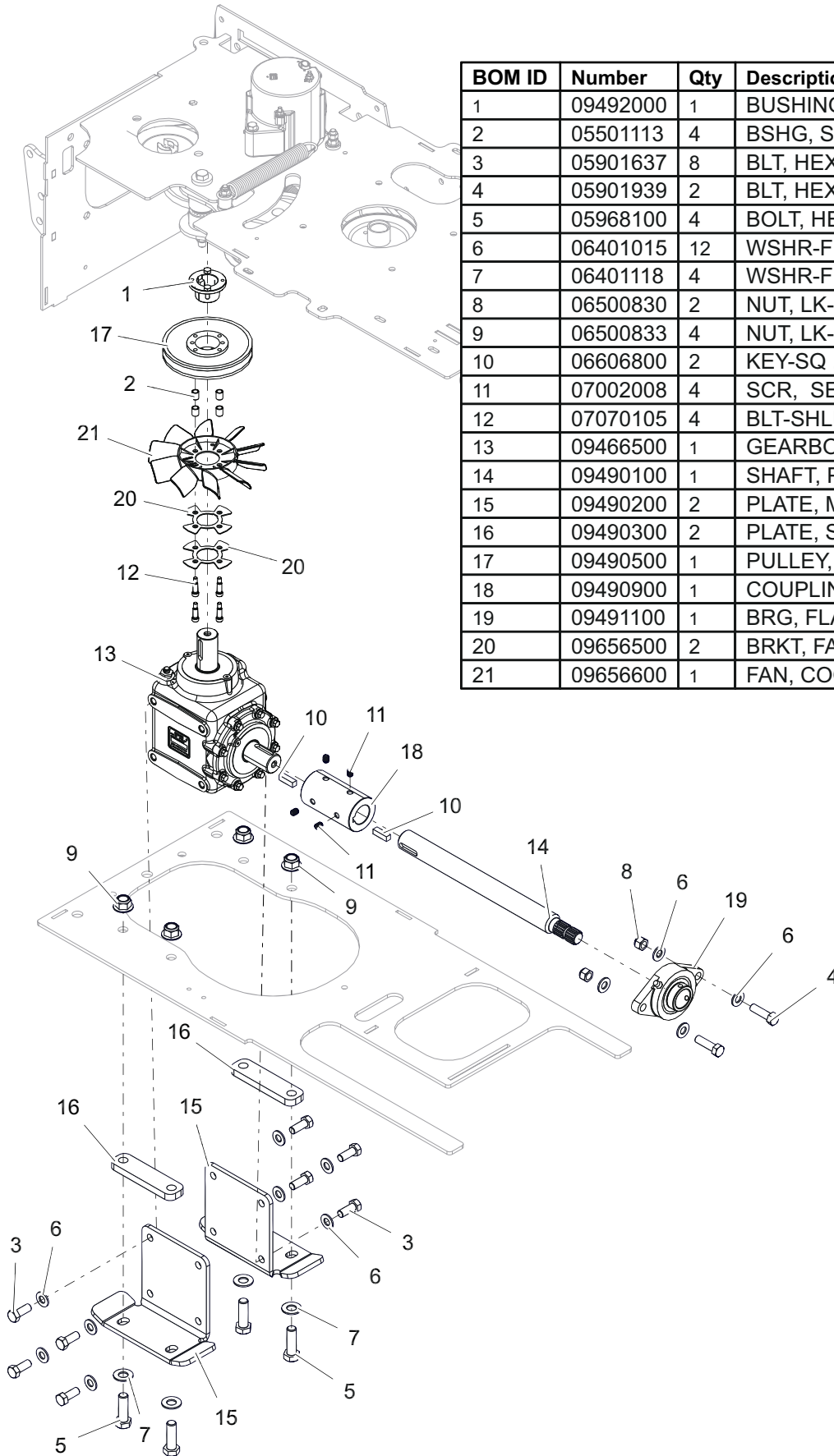
Model 951001



BOM ID	Number	Qty	Description
1	07334500	2	IDLER, FLAT - 5.00" X .75"
2	07340967	1	SHEAVE, ENGINE 1.127 ID X 5.250 OD
3	09398000	1	WLDMT, IDLER ARM - HYDRO
4	09398100	1	WLDMT, IDLER ARM
5	09465900	1	PULLEY, PUMP
6	09466400	1	PULLEY, SPLIT V
7	05408000	4	BRG-BALL .500X1.375X.44
8	05501222	1	SPCR, .450 X 2.00 X .396
9	05901423	1	BLT-HEX .31-24X1.25 GR5 YWZC
10	05901611	2	BLT, HEX 0.375-16X2.75 GR5 ZC120
11	05901630	1	BLT,HEX M8-1.25X25 G8.8 ZC120
12	05901632	1	BLT, HEX 0.5-13X5.5 GR5 ZC120
13	05901711	2	BLT, HEX 0.375-16X1 GR5 ZC120
14	05901724	1	BLT, HEX 0.375-16X1.25 GR5 ZC120
15	05901916	1	BLT, HEX 0.4375-20X2 G8 ZCC NT
16	05901928	1	BLT, HEX 0.375-16X1.5 GR5 ZCC
17	06200314	1	BTL,RHSN .375-16 X 2 G5 ZCC
18	06200417	1	BTL,RHSN .375-16 X 1.75 G5 ZCC
19	06400015	2	WASHER-FLAT-STL, .500 X .750 X .020
20	06400936	1	WSHR, 7/16" SPRING DISC
21	06401013	7	WSHR-FL-STL 0.406X0.812X0.065 ZC120
22	06401108	2	WSHR-FL-STL 0.406X1X0.188 ZCC
23	06401124	2	WSHR-FL-STL 0.312X0.734X0.065 ZCC
24	06500726	6	NUT, LK-NYL-FLG .38-16 GR5 ZC120
25	06500807	2	NUT, FLG-SPNLK M6-1.0 GR8.8 ZC120
26	06500825	4	NUT, HEX-CTR LK .375-16 GR5 ZCC
27	06500830	1	NUT, LK-NYL .50-13 GR5 ZC120
28	06603400	1	KEY-SQ .250X.250X1.250
29	07002006	1	WSHR, 1.375 X .563 X .25
30	07002007	2	WSHR-FL-STL, 1.75 X 1.35 X .15
31	08346800	1	SPRG, EXTENSION .105 X 1.00 X 5.0
32	09357700	2	SPACER SLEEVED SPACER, .510 X .867 X 1.148
33	09470300	1	BELT, PTO - HA
34	09478800	1	CLUTCH, OGURA GT2.75-DC03(D)
35	09490400	1	BRKT, SPRING/CABLE
36	09490600	1	ELEC, POWER ALTERNATOR 70A
37	09490700	1	BELT, HYDRO - HA
38	09490800	2	SPCR, BSHG - SPRING ANCHOR
39	09491000	1	SPRG, EXTENSION
40	09499700	1	PLATE, CLUTCH STOP

PTO AND DRIVE (CONTINUED)

Model 951001

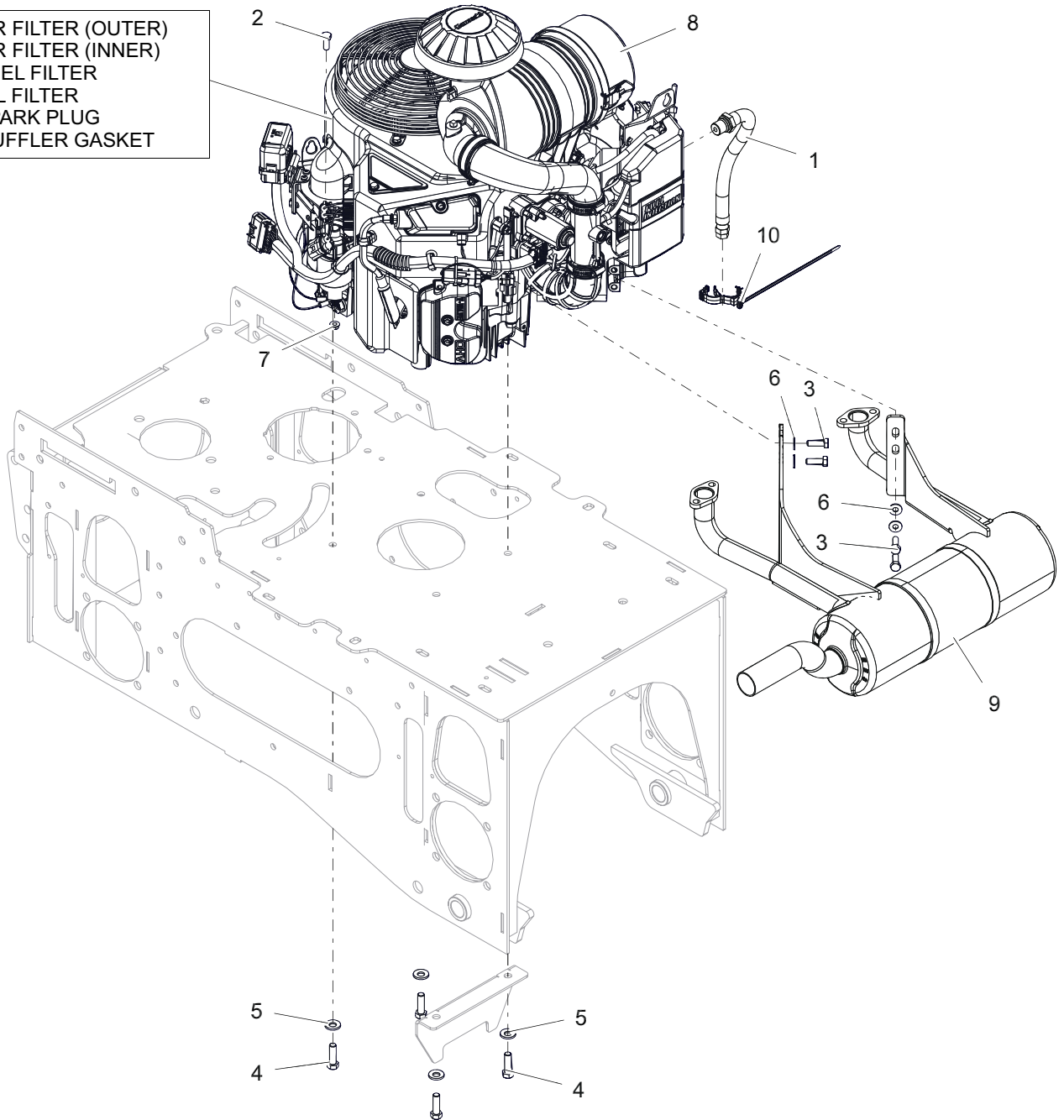


BOM ID	Number	Qty	Description
1	09492000	1	BUSHING, PULLEY SPLIT TAPER
2	05501113	4	BSHG, SLV .330X.455X.550
3	05901637	8	BLT, HEX 0.5-13X1.25 GR5 ZC120
4	05901939	2	BLT, HEX 0.5-13X1.75 GR5 ZCC
5	05968100	4	BOLT, HEX 0.625-11X2 GR5
6	06401015	12	WSHR-FL-STL 0.531X1.062X0.095 ZC120
7	06401118	4	WSHR-FL-STL 0.656X1.312X0.095 ZCC
8	06500830	2	NUT, LK-NYL .50-13 GR5 ZC120
9	06500833	4	NUT, LK-NYL-FLG .625-11 GR5 ZC120
10	06606800	2	KEY-SQ .375X.375X1.250
11	07002008	4	SCR, SET- .375-16 X .50 SKH
12	07070105	4	BLT-SHLDR .313X.750X.250-20
13	09466500	1	GEARBOX, 90DEG VE COMMERCIAL
14	09490100	1	SHAFT, PTO INTERMEDIATE
15	09490200	2	PLATE, MOUNT GEARBOX
16	09490300	2	PLATE, SPCR - GEARBOX
17	09490500	1	PULLEY, GEARBOX BK62H
18	09490900	1	COUPLING, SHAFT
19	09491100	1	BRG, FLANGE 2 BOLT
20	09656500	2	BRKT, FAN
21	09656600	1	FAN, COOLING - PARKER

ENGINE – KAWASAKI FX850 EFI

Model 951001

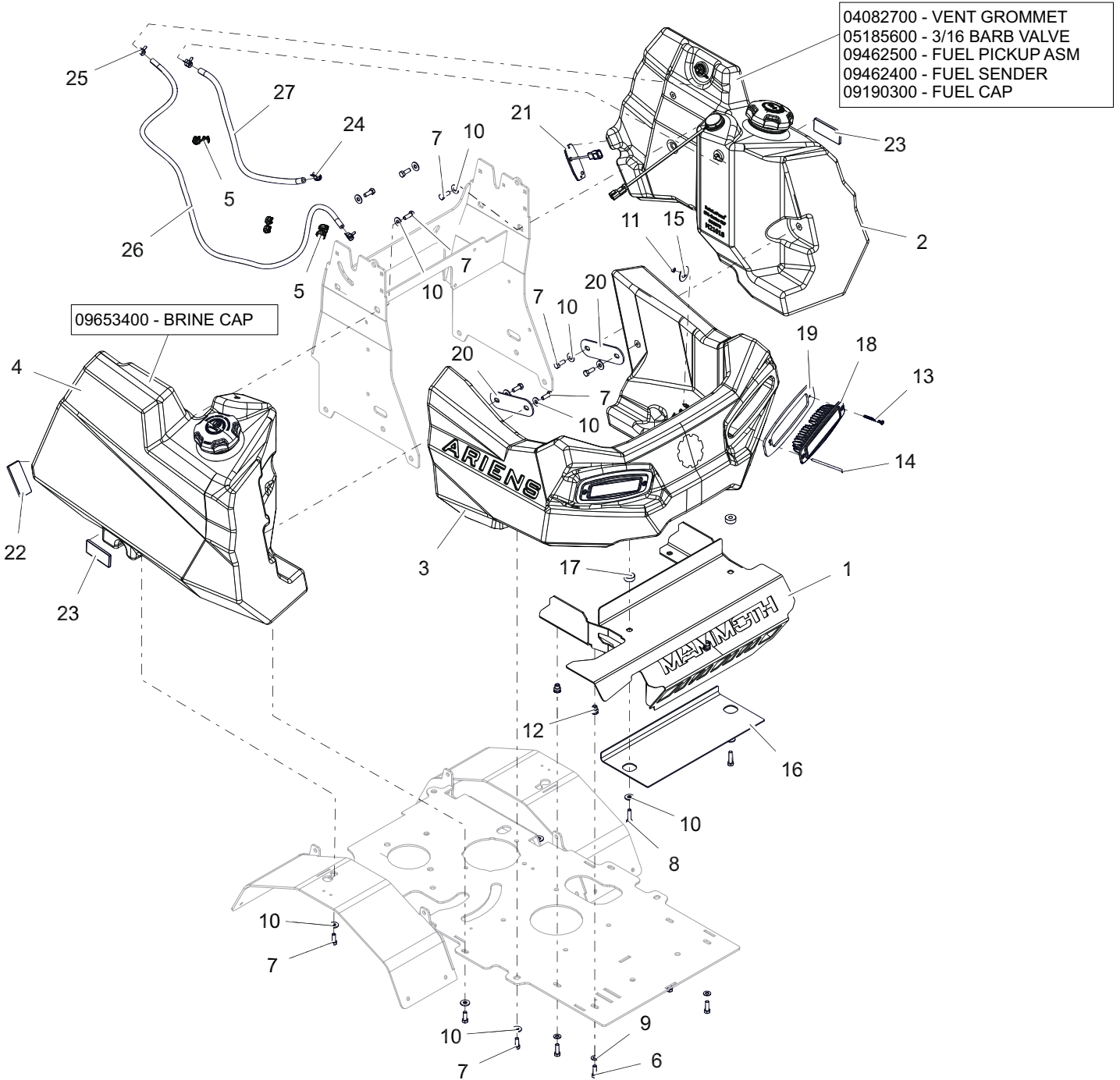
- 21548800 - AIR FILTER (OUTER)
- 21548700 - AIR FILTER (INNER)
- 21573800 - FUEL FILTER
- 21535800 - OIL FILTER
- 21536100 - SPARK PLUG
- 00191627 - MUFFLER GASKET



BOM ID	Number	Qty	Description
1	07001730	1	HOSE, OIL DRAIN
2	05901628	1	BLT,HEX M8-1.25X20 G8.8 ZC120
3	05901630	4	BLT,HEX M8-1.25X25 G8.8 ZC120
4	05901808	4	BLT, HEX 0.375-16X1.25 GR5 ZCC NT
5	06400927	4	WSHR, 3/8" SPRING DISC
6	06401124	4	WSHR-FL-STL 0.312X0.734X0.065 ZCC
7	06500807	1	NUT, FLG-SPNLK M6-1.0 GR8.8 ZC120
8	08201421	1	ENGINE, KAWASAKI FX850 EFI
9	09455600	1	MUFFLER, W/ BRACKETS,EES
10	09491200	1	CLIP, HARNESS CABLE TIE

FUEL AND BRINE TANKS

Model 951001

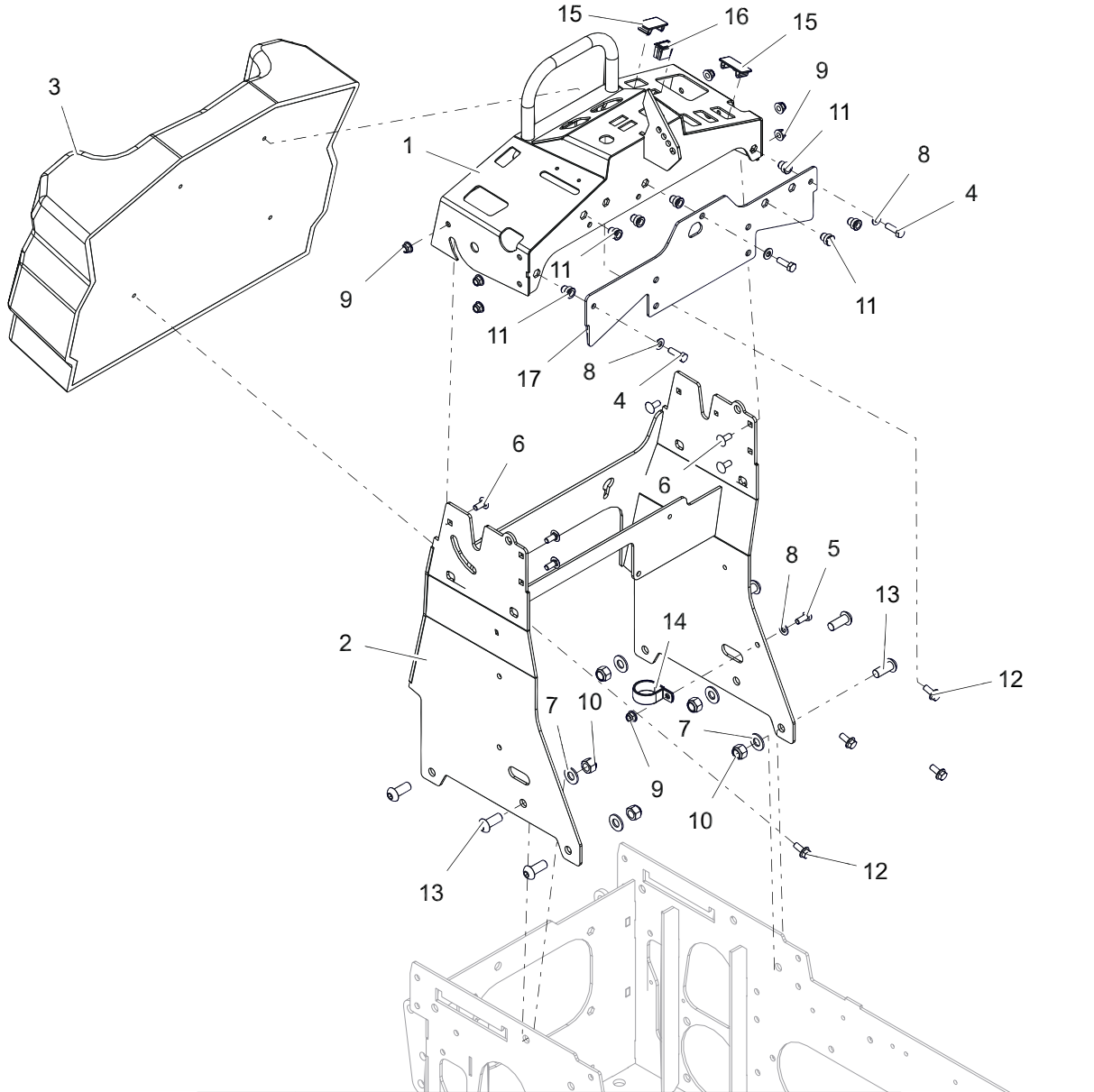


BOM ID	Number	Qty	Description
1	55100500	1	WLDMT, MUFFLER - W/DECAL
2	55100600	1	FUEL TANK - W/DECALS
3	55100800	1	BUMPER TANK - W/DECAL
4	55100700	1	BRINE TANK - W/DECALS
5	09494600	3	CLIP, FUEL LINE
6	05901701	4	BLT, HEX 0.3125-18X1 GR5 ZC120
7	05901801	14	BLT, HEX 0.3125-18X0.875 GR5 ZCC
8	05901803	2	BLT, HEX 0.3125-18X1.25 GR5 ZCC
9	06401017	4	WSHR-FL-STL 0.344X0.688X0.065 ZC120
10	06401023	16	WSHR-FL-STL 0.375X0.875X0.083 ZC120
11	06500915	2	NUT, LK-NYL #10-24 GR5 ZC120
12	07001936	4	RVT, HEX 5/16-18 SHORT
13	07002010	2	SCR, MACHINE - PHILLIPS,PAN, 10-24X2.0
14	07002011	2	SCR, MACHINE - PHILLIPS, PAN, 10-24X3.50

BOM ID	Number	Qty	Description
15	07002012	2	WSHR, CUP #10 ID X 1.5"OD
16	09493400	1	WRAP, MFLR HEATSHIELD
17	09493500	2	SPCR, EXHAUST
18	09493600	2	LIGHT, BAR W/ DT
19	09493700	2	BEZEL, HEADLAMP
20	09493800	2	COUPLER, PLATE TANKS
21	09493900	1	LIGHT, FLAT LED - WHITE, BACKUP
22	09494000	1	REFLECTOR,RED - ADHESIVE
23	09494100	2	REFLECTOR,AMBER - ADHESIVE
24	09494200	2	CLAMP, HOSE BAND 1/4"
25	09494300	2	CLAMP, HOSE BAND 3/16"
26	09494400	1	HOSE, FUEL 3/16" X 48"
27	09494500	1	HOSE, FUEL - 1/4 X 20

TOWER AND OPERATOR PAD

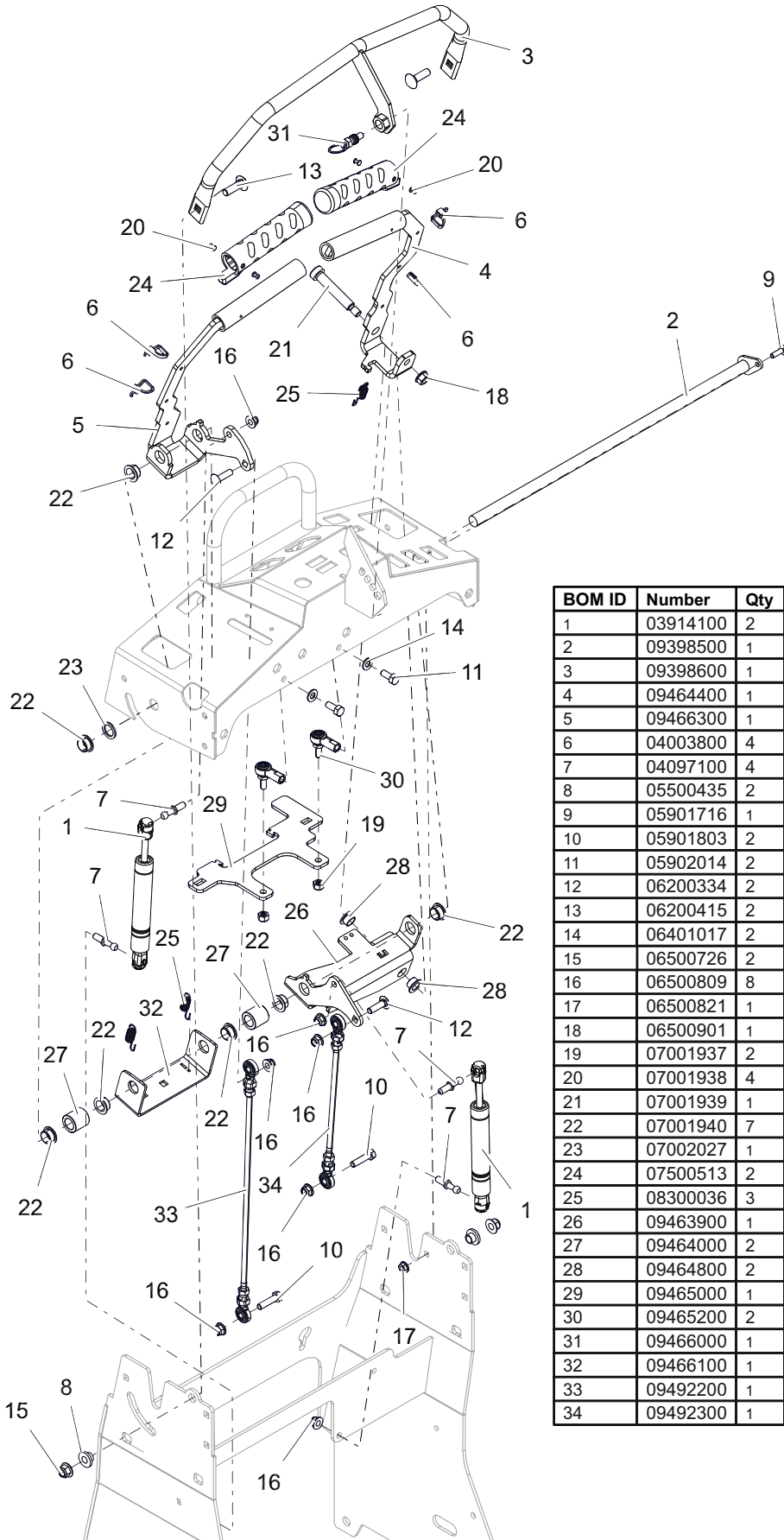
Model 951001



BOM ID	Number	Qty	Description
1	55100300	1	WLDMT, CONSOLE TOP - W/DECALS
2	55102300	1	WLDMT, CONTROL TOWER W/DECAL
3	09483700	1	ASM, OPERATOR PAD
4	05901701	3	BLT, HEX 0.3125-18X1 GR5 ZC120
5	05901704	1	BLT, HEX 0.3125-18X0.75 GR5 ZC120
6	06200309	6	BTL,RHSSN .313-18 X 0.75 G5 ZCC
7	06401015	6	WSHR-FL-STL 0.531X1.062X0.095 ZC120
8	06401017	4	WSHR-FL-STL 0.344X0.688X0.065 ZC120
9	06500809	7	NUT, LK-NYL-FLG .31-18 GR5 ZC120
10	06500830	6	NUT, LK-NYL .50-13 GR5 ZC120
11	06800210	7	RVT, HEX 5/16-18 SHORT
12	07001820	4	BLT, SERHFWH 0.312-18X0.75 GR5 ZCC
13	07002001	6	BOLT, BUTTON HEAD 1/2-13 x 1.25
14	07002002	1	CLAMP, CUSHIONED 1-3/8 x 11/32
15	07500338	2	PLUG, DASH PANEL
16	09003300	1	SWITCH, BLANK
17	09470600	1	PLATE, CONTROLS ACCESS PANEL

STEERING CONTROLS

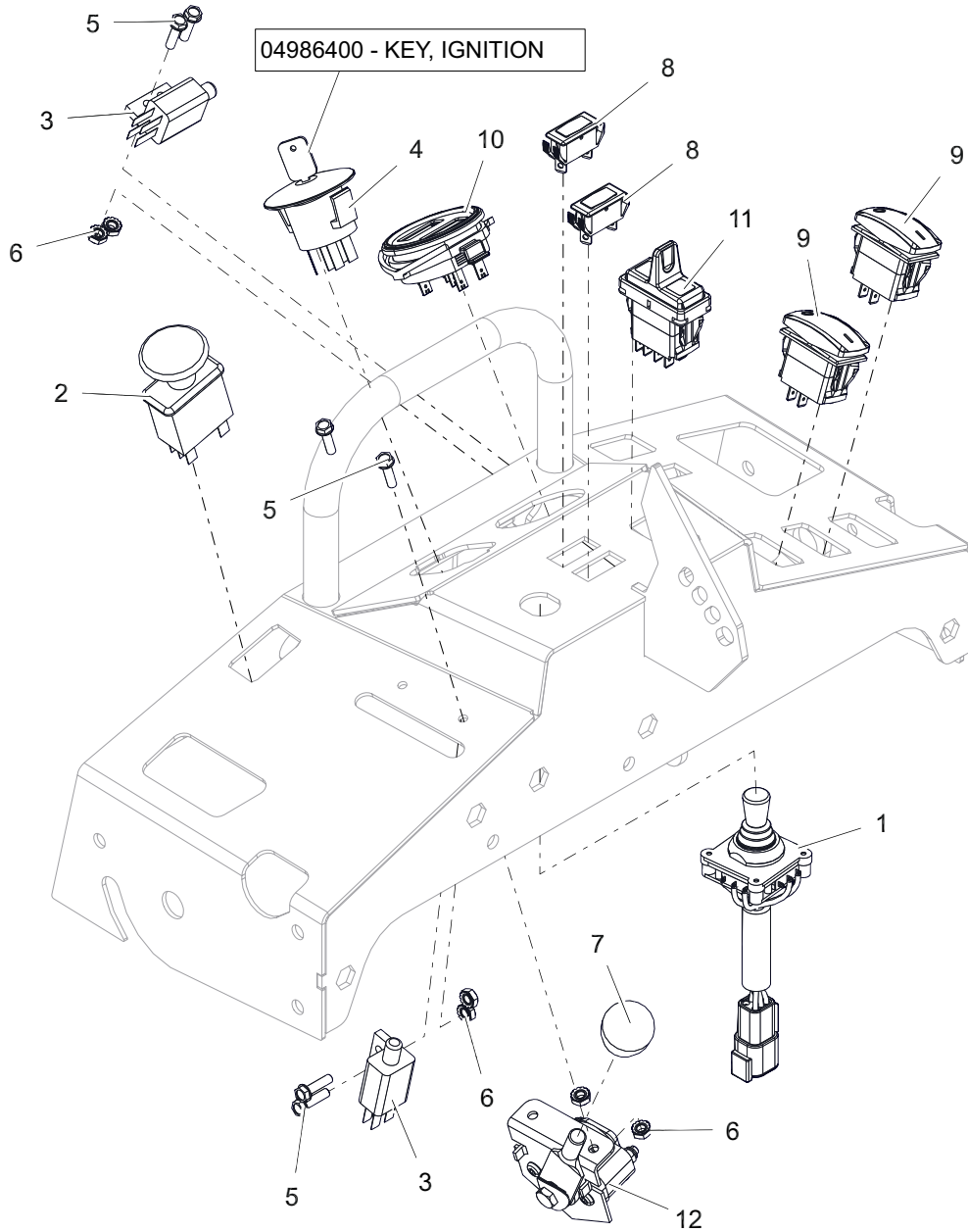
Model 951001



BOM ID	Number	Qty	Description
1	03914100	2	DAMPER, CONTROL
2	09398500	1	PIVOT, ROD FLAG WLDMT
3	09398600	1	WLDMT, FWD SPEED BAR
4	09464400	1	WLDMT, CONTROL LH HANDLE
5	09466300	1	WLDMT, CONTROL RH HANDLE
6	04003800	4	TIE, CABLE - 11.80" LONG
7	04097100	4	STUD, BALL THREADED
8	05500435	2	BUSHING FLANGED FLG .385 X .500 X .875 X .406
9	05901716	1	BLT, HEX 0.25-20X0.75 GR5 ZC120
10	05901803	2	BLT, HEX 0.3125-18X1.25 GR5 ZCC
11	05902014	2	BLT, HEX 0.3125-24X0.75 G5 ZCC
12	06200334	2	BTL,RHSSN .313-18 X 1.125 G5 ZCC
13	06200415	2	BTL,RHSN .375-16 X 1.25 G5 ZCC
14	06401017	2	WSHR-FL-STL 0.344X0.688X0.065 ZC120
15	06500726	2	NUT, LK-NYL-FLG .38-16 GR5 ZC120
16	06500809	8	NUT, LK-NYL-FLG .31-18 GR5 ZC120
17	06500821	1	NUT, FLG-CTR LK .250-20 GR5 ZC120
18	06500901	1	NUT, FLG-CTR LK .375-16 GR5 ZC120
19	07001937	2	NUT, HEX NYLOCK 5/16-24
20	07001938	4	RVT, POP #44 .125 X .188-.25 STL ZC
21	07001939	1	BLT, SHLDR 0.5 SH, 0.38-16, 2.5L
22	07001940	7	BUSHING, PLASTIC 5/8"
23	07002027	1	WASHER-FLAT-STL, METRIC M17X24X2
24	07500513	2	GRIP, HANDLE - HEATED
25	08300036	3	SPRG, EXTENSION
26	09463900	1	PLATE, CONTROL LH HANDLE PIVOT
27	09464000	2	SPCR, CONTROLS
28	09464800	2	BUSHING, FLANGED PLASTIC
29	09465000	1	PLATE, BRAKE INTERLOCK
30	09465200	2	BALL, STUD ASSY 5/16-24
31	09466000	1	SPRG, LOCK PIN 1/2-13
32	09466100	1	PLATE, BRAKE CAM
33	09492200	1	LINKAGE, CONTROLS 5/16 - 16.00"
34	09492300	1	LINKAGE, CONTROLS 5/16 - 10.50"

CONTROLS

Model 951001

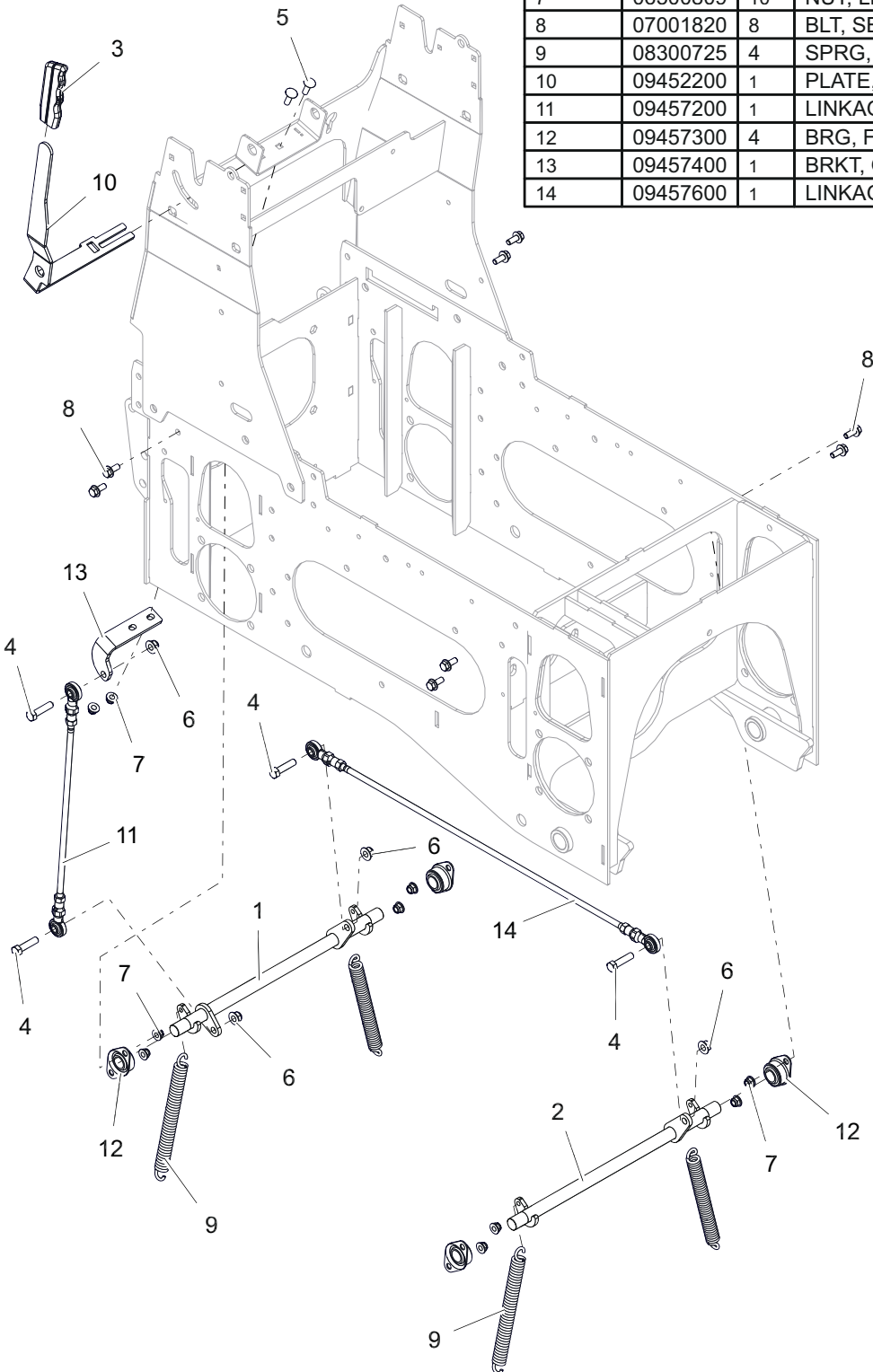


BOM ID	Number	Qty	Description
1	09448100	1	ASM, JOYSTICK (N.O.)
2	01545600	1	SWITCH, CLUTCH
3	03606600	2	SWITCH- DOUBLE POLE N.O./N.O.
4	04974300	1	SWITCH, IGNITION
5	05901837	6	SCR-MCH 10-24X.75 HWH ZCC
6	06500934	6	NUT-KEPS 10-24
7	07500132	1	KNOB, CONTROL BLACK .38-16X.50
8	08841200	2	LIGHT, INDICATOR
9	09117600	2	SWITCH, ROCKER - BLANK ON/OFF
10	09377100	1	METER, DUAL
11	09464600	1	SWITCH, PADDLE ROCKER (on)-off-(on)
12	09464900	1	CONTROL, ELECTRIC THROTTLE

PARKING BRAKE

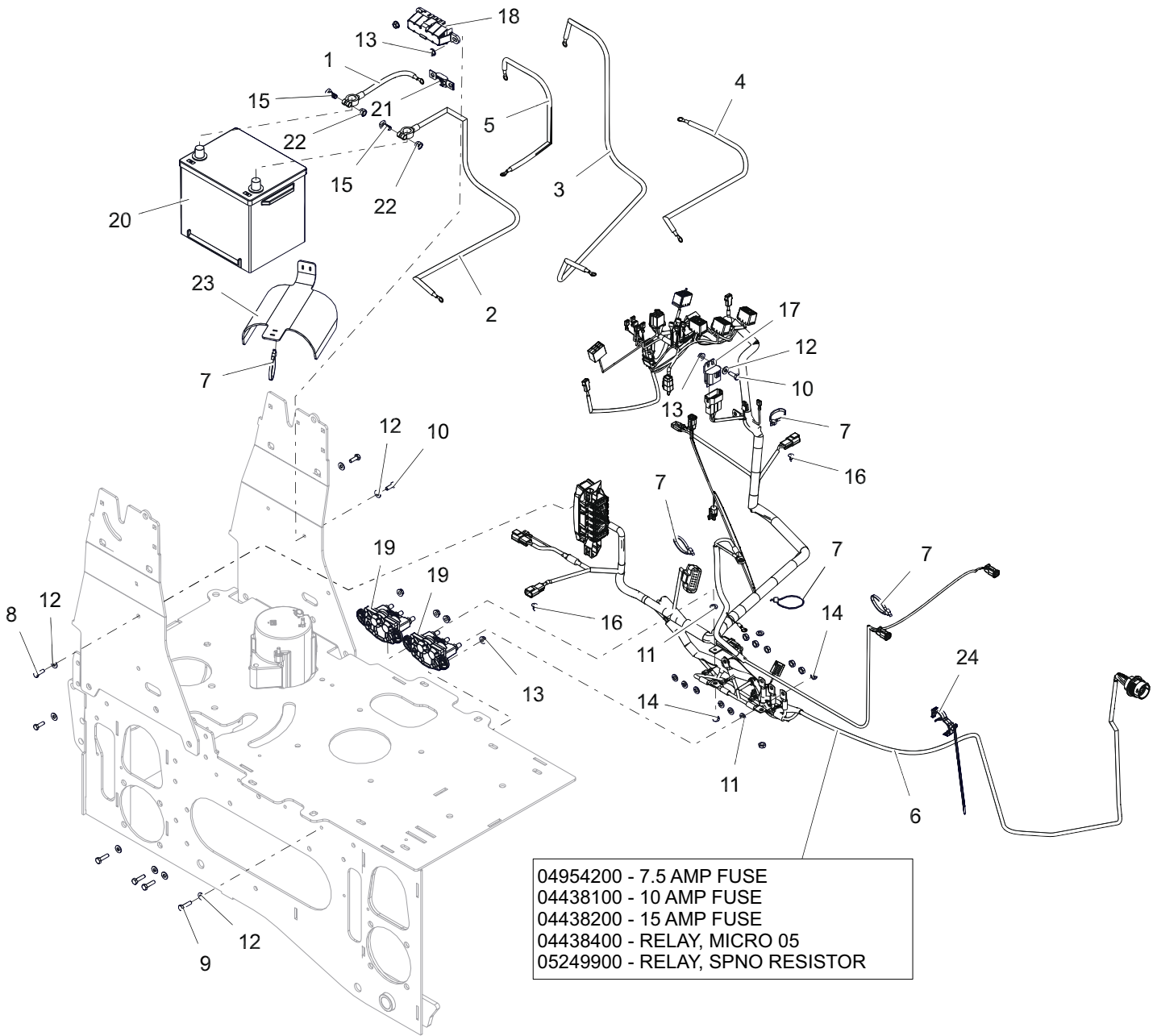
Model 951001

BOM ID	Number	Qty	Description
1	09398200	1	WLDMT, REAR BRAKE SHAFT
2	09398300	1	WLDMT, BRAKE SHAFT - FRONT
3	05097200	1	GRIP, PARKING BRAKE, GREY
4	05901928	4	BLT, HEX 0.375-16X1.5 GR5 ZCC
5	06200231	2	BTL,RHSN .313-18 X 1 G5 ZCC
6	06500726	4	NUT, LK-NYL-FLG .38-16 GR5 ZC120
7	06500809	10	NUT, LK-NYL-FLG .31-18 GR5 ZC120
8	07001820	8	BLT, SERHFWH 0.312-18X0.75 GR5 ZCC
9	08300725	4	SPRG, EXTENSION HOOKS 90DEG,SS,7.38"ID
10	09452200	1	PLATE, BRAKE LEVER
11	09457200	1	LINKAGE, UPPER BRAKE - 17-9/16"
12	09457300	4	BRG, FLANGE BRONZE
13	09457400	1	BRKT, OVER CENTER
14	09457600	1	LINKAGE, LOWER BRAKE - 28"



ELECTRICAL

Model 951001



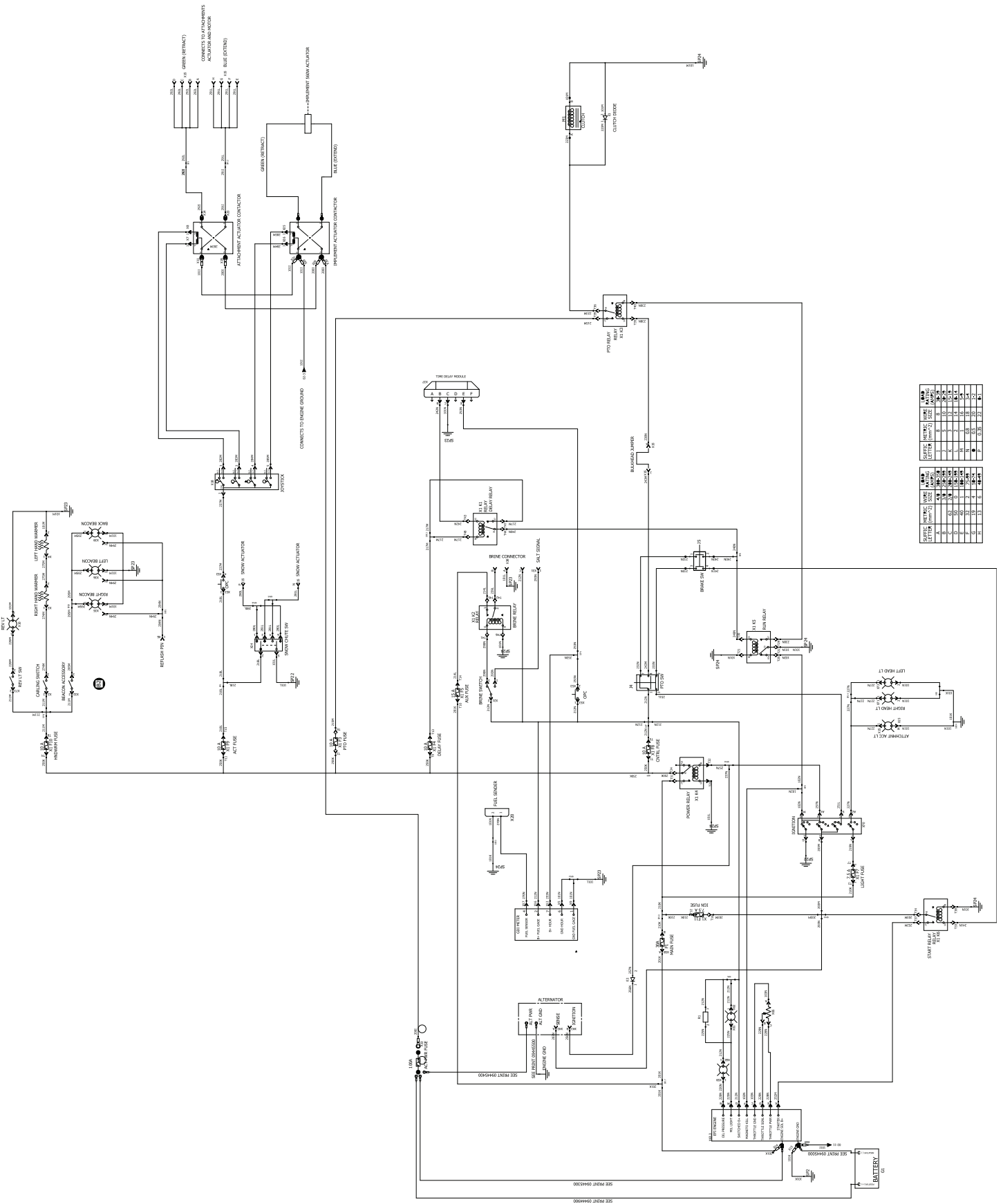
04954200 - 7.5 AMP FUSE
 04438100 - 10 AMP FUSE
 04438200 - 15 AMP FUSE
 04438400 - RELAY, MICRO 05
 05249900 - RELAY, SPNO RESISTOR

BOM ID	Number	Qty	Description
1	09444900	1	CABLE, BATTERY (POS)
2	09445000	1	CABLE, BATTERY (NEG)
3	09445300	1	CABLE, TRACTOR - ENGINE
4	09445500	1	CABLE, ALT (GND)
5	09446000	1	CABLE, ALT (PWR)
6	09444600	1	HARNESS, WIRE - MAMMOTH TRACTOR
7	04003800	5	TIE, CABLE - 11.80" LONG
8	05901610	2	BLT,HEX M6-1X20 G8.8 ZC120
9	05901639	4	BLT, HEX 0.25-20X1 GR5 ZC120
10	05901716	3	BLT, HEX 0.25-20X0.75 GR5 ZC120
11	06300119	8	WSHR,LK-REG 0.314 X 0.078 ZCC
12	06401001	9	WSHR-FL-STL 0.281X0.625X0.065 ZC120
13	06500821	7	NUT, FLG-CTR LK .250-20 GR5 ZC120

BOM ID	Number	Qty	Description
14	06500923	8	NUT, HEX-JAM .312-24 ZCC
15	07001933	2	BOLT, SQ HEAD; BATT TERM
16	07002009	2	RVT, PUSH W/ RIBBED SHANK
17	09044200	1	MODULE,INTERLOCK,DELAY, 1805
18	09464100	1	HOLDER, FUSE MEGA (100A)
19	09464700	2	RELAY, ACTUATOR REV POLARITY
20	N/A	1	BATTERY, GROUP 26, 540CCA
21	09465800	1	FUSE, MAIN - 100A MEGA
22	09466200	2	NUT, BATTERY COLLAR NUT 5/16-18
23	09470500	1	SHIELD, RUBBER ALTERNATOR
24	09491200	1	CLIP, HARNESS CABLE TIE

WIRING DIAGRAM

Model 951001



NOTES



ARIENS
THE KING OF SNOW

655 West Ryan Street
Brillion, WI 54110

ariensco.com



ARIENS | CO